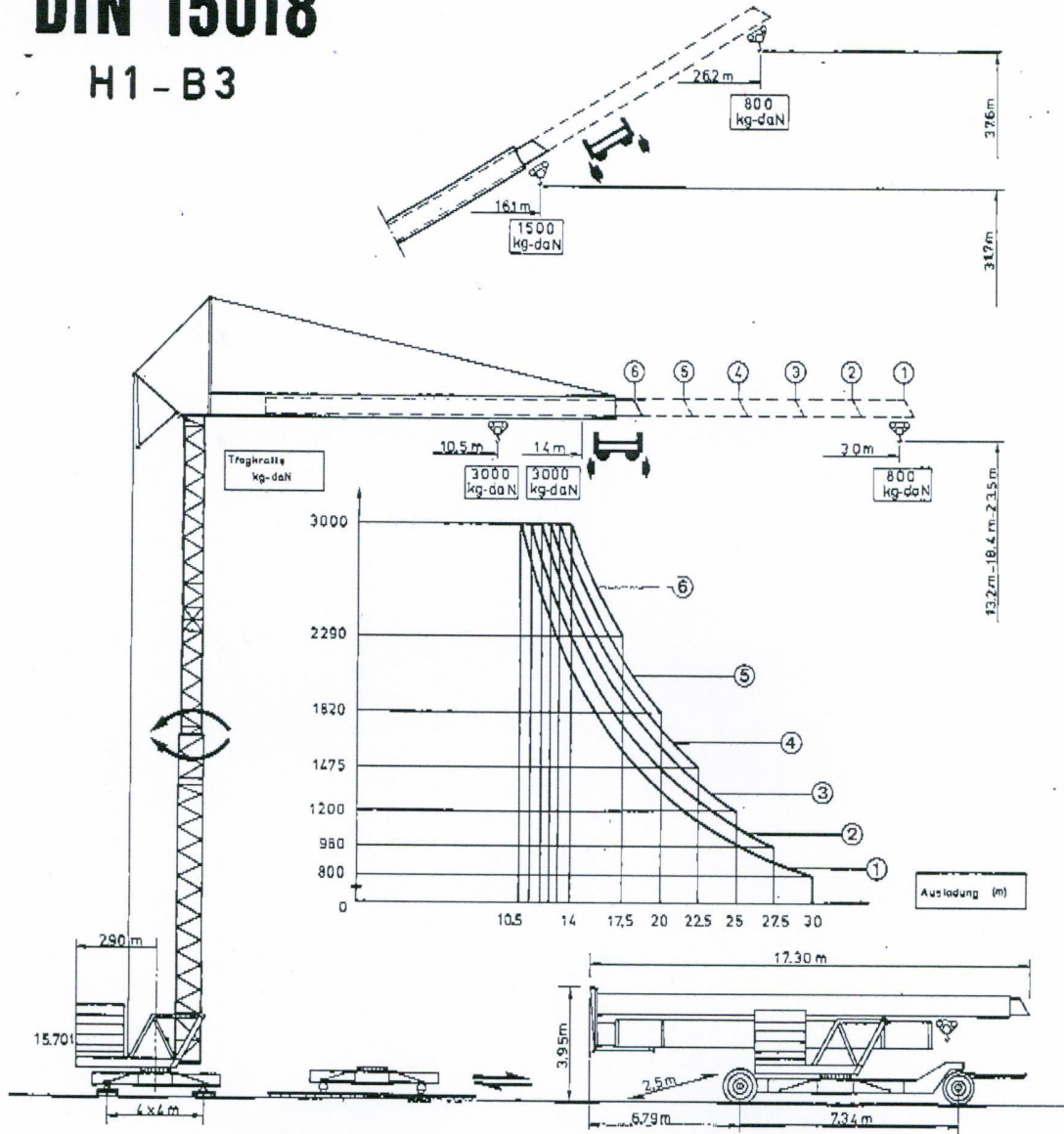


DIN 15018

H1-B3



| | | m/min | kg-daN | | | | | | | |
|--------|------|-------|----------------|---------------------------------------|-----------------|--------------|------------------------|-----------------------------|---|--------|
| ↑ ↓ | ⊕ | 5 | 1500 | 14 m-daN | ⊕ | 30 | 1,5 kW | 220 - 380V / 50Hz 25 kVA | ⚡ | |
| | | 22,5 | 1500 | 11 kW 15 PS | | m/min | 2 PS | | | |
| | | 45 | 1000 | 11 kW 15 PS | | 0-1 U/min | 3,5 m-daN | | | |
| | ⊖ | 5 | 1500 | 14 m-daN | ⊖ | 25 | 2 x 1 kW 2 x 1,5 PS | | | 35 kVA |
| | | 2,5 | 3000 | 14 m-daN | | m/min | | | | |
| | | 11,25 | 3000 | 11 kW 15 PS | | | | | | |
| | 22,5 | 2000 | 11 kW 15 PS | ohne Ballast ohne Transportflachse | 13500 kg-daN | | | | | |
| | 2,5 | 3000 | 14 m-daN | KG | | | | | | |

Anmerkungen vorbehalten